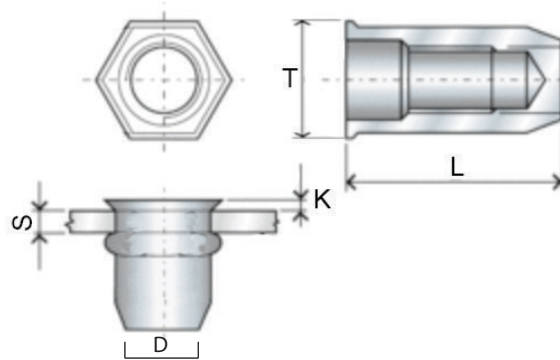


INSERTO LISCIO CIECO TESTA FILO LAMIERA
REDUCED HEAD ROUND PLAIN BODY CLOSED



| COD. | FIL | D | T | K | L | F | SPESS. LAMIERA |
|-------------|------------|----------|----------|----------|----------|----------|-----------------------|
| DGW60244 | M3-C | 4,9 | 5,5 | 0,35 | 9 | 5 | 0,5-1,5 |
| DGW60245 | M3-L | | | | 10 | | 1,5-2,5 |
| DGW60246 | M4-C | 5,9 | 6,7 | 0,5 | 10 | 6 | 0,5-1,5 |
| DGW60247 | M4-L | | | | 11 | | 1,5-2,5 |
| DGW60248 | M5-C | 6,9 | 7,7 | 0,6 | 12 | 7 | 0,5-2,0 |
| DGW60249 | M5-L | | | | 13,5 | | 2,0-3,5 |
| DGW60250 | M6-C | 8,9 | 10 | 0,6 | 13,5 | 9 | 0,5-2,0 |
| DGW60251 | M6-L | | | | 15 | | 2,0-3,5 |
| DGW60252 | M8-C | 10,9 | 12 | 0,6 | 16,5 | 11 | 1,0-2,5 |
| DGW60253 | M8-L | | | | 18 | | 2,5-4,0 |
| DGW60254 | M10-C | 11,9 | 13,5 | 0,85 | 18 | 13 | 1,0-2,5 |
| DGW60255 | M10-L | | | | 19,5 | | 2,5-4,0 |

* Disponibile anche misura M12 F16
On request also size M12 F16

* Disponibile anche in INOX
On request also in stainless steel