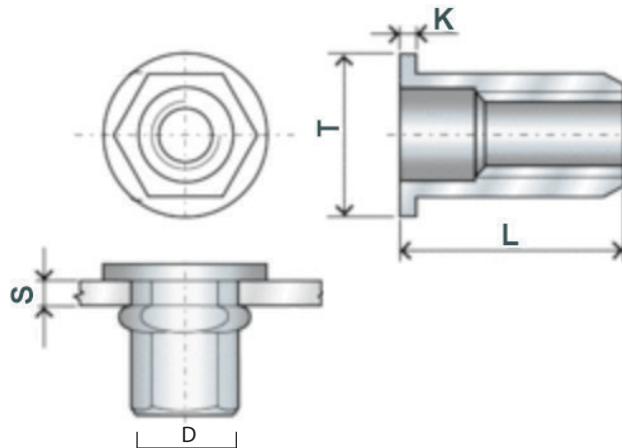


INSERTO ESAGONALE TESTA LARGA
FLAT HEAD FULL-HEX BODY



COD.	FIL	D	T	K	L	F	SPESS. LAMIERA
DGW40565	M3	5,0	7,0	0,8	8,8	5	0,5-2,0
DGW39938	M4-C	5,9	9,0	0,8	11	6	0,5-2,0
DGW60540	M4-L				13,5		2,0-5,0
DGW40279	M5-C	6,9	10,0	1	14	7	0,5-3,0
DGW60541	M5-L				16,5		3,0-6,0
DGW39847	M6-C	8,9	13,0	1,2	16	9	0,5-3,0
DGW60408	M6-L				19,5		3,0-5,0
DGW39848	M8-C	10,9	15,0	1,5	17	11	0,5-3,0
DGW60542	M8-L				21,5		3,0-6,0
DGW40345	M10-C	12,9	18,0	1,7	21	13	1,0-3,5
DGW60543	M10-L				24		3,5-6,0

* Disponibile anche misura M12 F16
On request also in size M12 F16