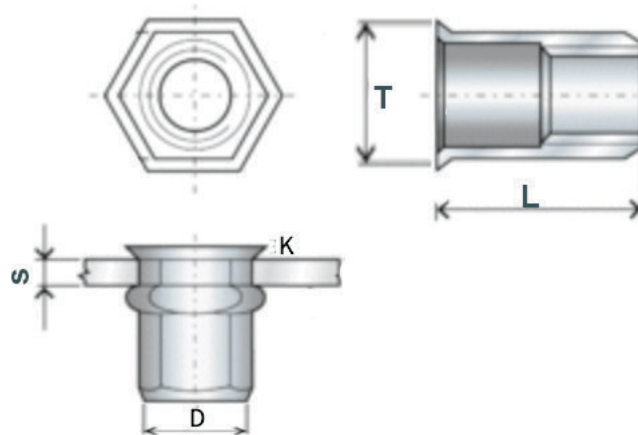


**INSERTO ESAGONALE TESTA FILO LAMIERA**  
REDUCED HEX HEAD FULL-HEX BODY



COD.	FIL	D	T	K	L	F	SPESS. LAMIERA
DGW40435	M3-C	5,0	7,0	0,8	8,5	5	0,5-2,0
DGW60536	M3-L						0,5-2,5
DGW39920	M4-C	5,9	6,6	0,5	11	6	0,5-2,0
DGW60537	M4-L						2,5-5,0
DGW39802	M5-C	6,9	8	0,6	14	7	0,5-3,0
DGW60405	M5-L						3,0-5,0
DGW39828	M6-C	8,9	10	0,6	16	9	0,5-3,0
DGW60406	M6-L						3,5-6,0
DGW39858	M8-C	10,9	12	0,8	18	11	0,5-3,0
DGW60407	M8-L						4,0-6,0
DGW40065	M10-C	12,9	18	1,7	21	13	1,0-3,5
DGW60538	M10-L						3,5-6,0

\* Disponibile anche in misura M12 F16  
On request also in size M12 F16