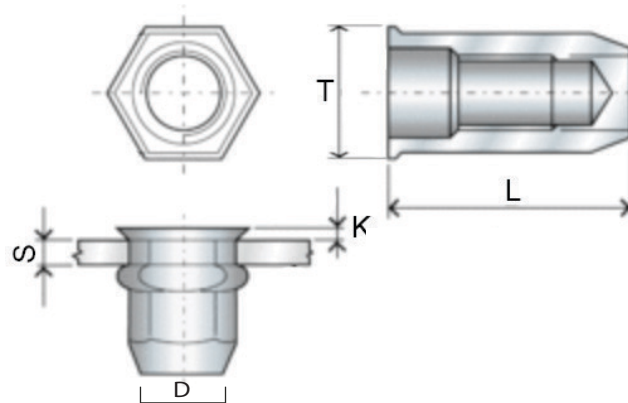


INSERTO ESAGONALE CIECO TESTA FILO LAMIERA
REDUCED HEX HEAD FULL-HEX BODY CLOSED



COD.	FIL.	D	T	K	L	F	SPESS. LAMIERA
DGW60546	M3-C	5	6	0,5	8,5	5	0,5-2,0
DGW60560	M3-L				9,5		0,5-2,5
DGW41518	M4-C	5,9	7	0,5	11	6	0,5-2,5
DGW60561	M4-L				13,5		2,5-5,0
DGW40863	M5-C	6,9	8	0,5	14,5	7	0,5-3,0
DGW60562	M5-L				16		3,0-5,0
DGW40305	M6-C	8,9	10	0,6	16	9	0,5-3,0
DGW60563	M6-L				18		3,0-6,0
DGW40943	M8-C	10,9	12	0,7	18	11	1,0-4,0
DGW60564	M8-L				20		4,0-6,0
DGW60227	M10-C	12,9	14,5	0,75	19	13	1,0-3,5
DGW60565	M10-L				23,5		3,5-6,0

* Disponibile anche in misura M12 F16
On request also in size M12 F16

* Disponibile anche in INOX
On request also in stainless steel